

## LENO F - (DIRECT- INDIRECT)

Direct -Indirect | Task Lights



LENO f Luminaire housing of aluminum with premium powder coating finish.

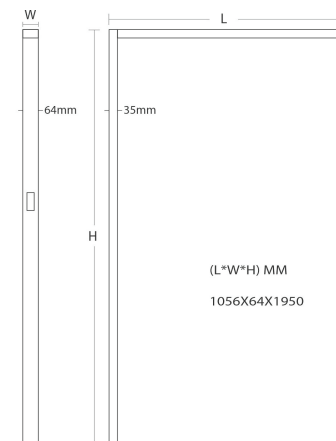
Powered by high-quality LED's with a binning tolerance of  $\leq 3$  SDCM and CRI  $\geq 90$ . The luminaire maintains atleast 70% of its luminous flux after 50,000 operating hours, guaranteeing long-term reliability. Optics of high efficiency lens & reflector for uniform light distribution.

With a size of 1056mm Arm Length, 64mm width and 1950mm height, this fixture is crafted for direct or direct + indirect light distribution making it ideal for professional applications. Numerous combination of lamp Head design for vriety of desks.

Customisations in RAL finish, Wattages available as per request to enhance installation and functionality.

### Single Line Diagram

Surface Mounted



### LENO F



## Quick Info

### Mounting Type

Surface

### Material Colour

Powder Coated (Grey)

### Protection mode

IP40

### Driver Details

ON/OFF/, DALI-2 DT6 / DALI-2 DT8/ DALI +

Power Factor (PF) -0.95

THD- <10%

UGR - <19

### LED

CCT- 3000K/ 4000K/ 5700K/ TUNABLE WHITE 2700K-6500K

CRI-  $\geq 90$

Life Span - L70@50000h

MacAdam -  $\leq 3$  SDCM

### Beam Angle

110°

### Optics

Lens

Reflector

### Efficacy

3000-

4000-

5700-

Tunable White 2700K-6500K-

### Electrical

Wattage - 90W

Input Voltage- 220-240 VAC

### Light Distribution

Direct- Indirect

Up-50%/ Down- 50%

Up-30%/ Down- 70%

Up-70%/ Down- 30%

Up-20%/ Down- 80%

Up-80%/ Down- 100%

### Physical

Arm Length- 1056mm

Width- 64mm

Height- 1950mm